

# AIR FILTER HOUSING

## DESCRIPTION:

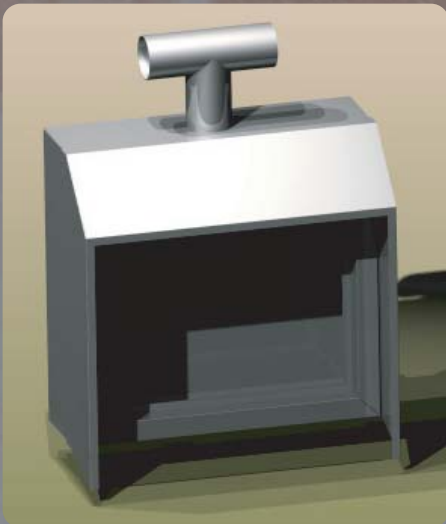
Sepak Industries new stainless steel AIR FILTER HOUSINGS are designed for filtering of the incoming air when emptying hygienic tanks and vessels. The filter housing also prevents dust and insects entering vessels when not in use. The filter boxes suit standard rectangular air filter cartridges. In most of the cases, one air filtration system can be fitted to 2 Tanks thus reducing cost.

## ADVANTAGES:

1. Reduce risk of Tank collapsing due to Vacuum suction
2. Economical Filter cartridge replacement.
3. Clean Air into tanks for Food application.
4. High air flow rate.
5. Easy to replace Filter cartridge.

## CONNECTIONS:

Filter housings are available with 'single' or 'tee' outlet to suit one or two flexible hose connections to tanks. Alternatively, filter boxes can be supplied with hygienic stainless steel fittings (Triclover or BSM) to suit hard piping to tank. Standard connection size is 3" (custom sizes available to suit specific needs).



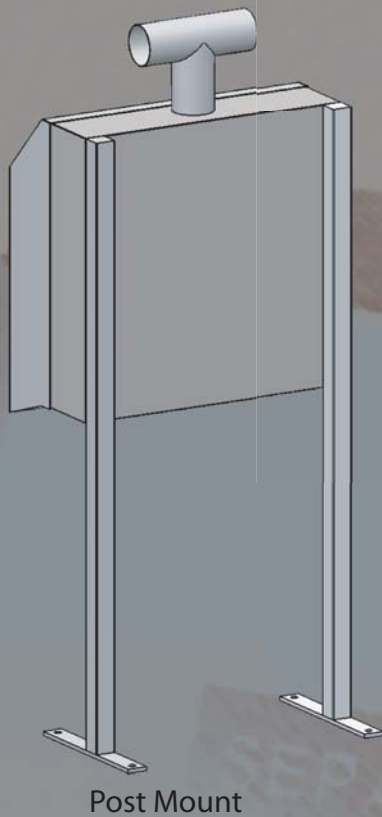
## OPTIONS:

1. The outdoor model (pictured) comes with sloped stainless and clear Lexan cover to reduce wetting / soiling of filter cartridge under outdoor conditions. Stainless steel stands available for mounting of filter housing.
2. Water resistant Filter cartridges (standard model only).
3. 0.3 micron HEPA Filter with 2 stage filtration.
4. Various mounting solutions (Details Back Page)

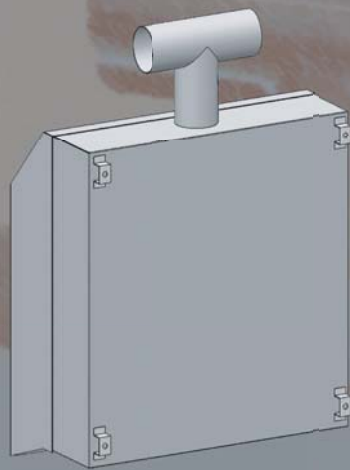
**SEPAK** INDUSTRIES  
AUSTRALIA  
[www.sepak.com.au](http://www.sepak.com.au)

Process systems & equipment for food, beverage and pharmaceutical industries

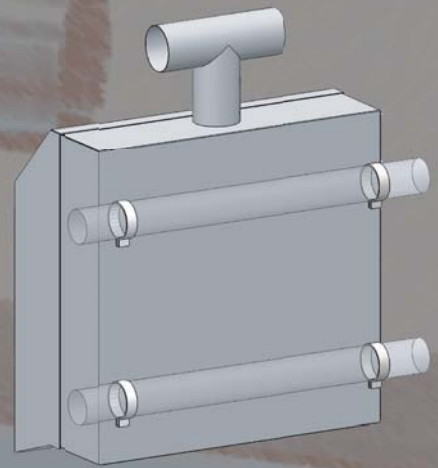
[www.sepak.com.au](http://www.sepak.com.au)



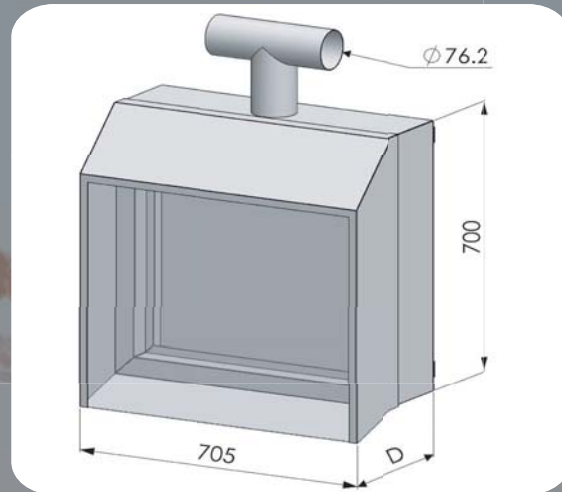
Post Mount



Bolt Mount



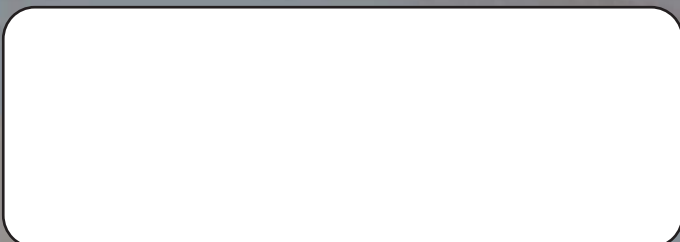
Hand Rail Mount



FILTER HOUSING DIMENSIONS			
	Housing Type		
	Type 1 Indoor Standard filter	Type 2 Outdoor Standard or HEPA	Type 3 Indoor HEPA filter
Height (mm)	700	700	700
Width (mm)	705	705	705
Depth D (mm)	200	350	270

FILTER DATA (CLEAN CONDITION)			
	Filter Type		
	Standard filter	Water Resistant Standard filter	HEPA filter
Air Flow (m <sup>3</sup> /hr)	3400	3400	603
Pressure Drop (Pa)	70	70	115
Filter Grade	EN779: G4	EN779: G4	EN1822: H13
Efficiency	GRAVIMETRIC 92%	GRAVIMETRIC 92%	DOP: 99.99%

FOR MORE INFORMATION PLEASE CONTACT:



**SEPAK** INDUSTRIES  
AUSTRALIA  
[www.sepak.com.au](http://www.sepak.com.au)

Process systems & equipment for food, beverage and pharmaceutical industries

Phone: +612 9618 1455 Fax: +612 9618 1599